

15" Projected capacitive Multi-Touch Monitor

Products application :

- POS Terminal
- Industrial PC
- Kiosk
- Gaming
- Medical apparatus
- Personal computer
- Mobile GPS
- Office automation
- Security system of the house
- Car-mounted amusement
- Military equipment
- Communicate



AIM-TMPCTU150-V01



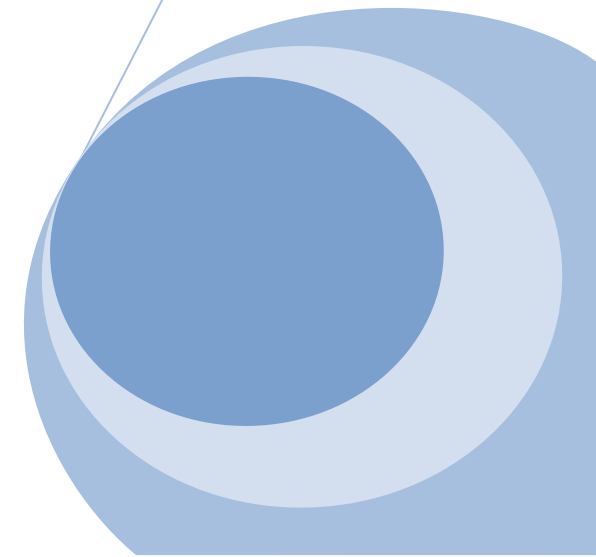
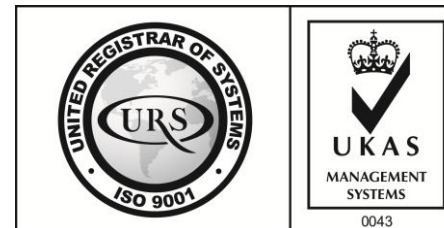
AIM-TMPCTU150-V W01

Order information :

Touch interface :

Mount type :

AIM-TMPCTU150-G01 N (Black)	USB (Multi-Touch*10)	VESA (Without Stand)
AIM-TMPCTU150-GW01 N (White)	USB (Multi-Touch*10)	VESA (Without Stand)
AIM-TMPCTU150-G01 (Black)	USB (Multi-Touch*10)	Foldable Stand (1.4kg)
AIM-TMPCTU150-P01 (Black)	USB (Multi-Touch*10)	Photo Stand (1kg)
AIM-TMPCTU150-V01 (Black)	USB (Multi-Touch*10)	POS Stand (1.2kg)
AIM-TMPCTU150-V W01 (White)	USB (Multi-Touch*10)	POS Stand (1.2kg)



15" Projected capacitive Multi-Touch Monitor

Display Specifications :

Active Area	304 × 228 mm
Pixel Pitch	0.297 × 0.297 mm
Brightness	300 cd/m ²
Contrast Ratio	2000 : 1
Resolution	1024 × 768 (XGA)
Viewing Angle	L/R176° ; U/D176°
Response Time	23ms (Tr + Tf)
Display Colors	16.2M
Display Modes	640×480 ; 800×600 ; 1024×768
Signal input	VGA ; Audio
Speaker	1W (8Ω) × 1
OSD Keyboard	⊙Power ⊙Auto adjust ⊕ ⊖ ⊙Menu
Power Source	DC 12V (DC Jack Φ2.1mm)
Power Consumption	≤14w
Storage · Operation	-30~70°C ; -20~70°C
VESA	75×75 mm
Casing Colors	Black (White)
Casing Size · Weight	347 × 276 × 45.2 mm ; 2.7 kg (W×H×D) (Without Stand)
Carton · gross weight	410 × 420 × 140 mm ; 4.2 kg (W×H×D)
Accessory	VGA cable / Audio cable / AC100~240V Adapter / Power cable / USB cable / Cleaning wipes / Driver Disk

※AiM Touch has the right to update specs without further notice.



AIM-TMPCTU150-G01



AIM-TMPCTU150-P01



15" Projected capacitive Multi-Touch Monitor

Touch Feature :

Input Method	Capacitive stylus, Finger
Linearity	≤2.5mm
Surface	≥7H
Life Time	Unlimited
Application	Writing and Signature Capture Capability

Software Feature :

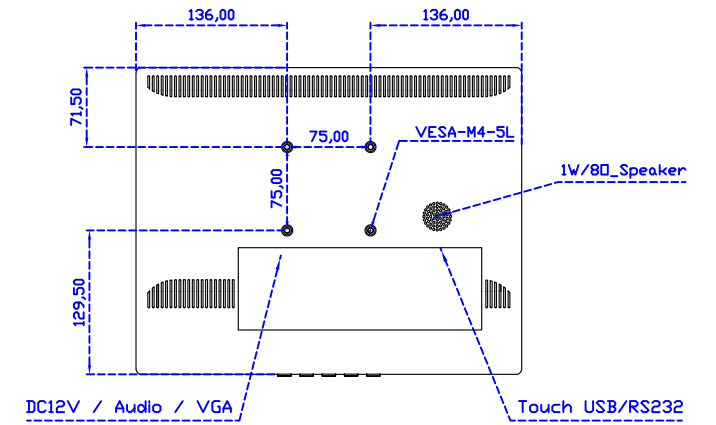
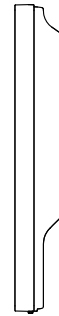
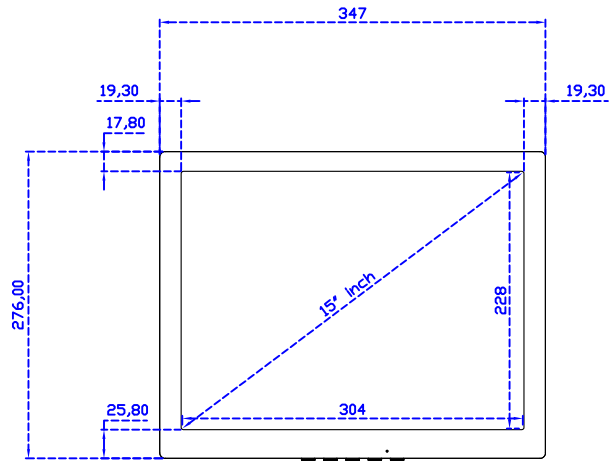
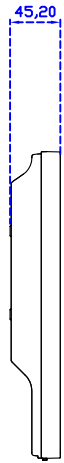
Draw Test	Position and linearity verification
Controller	Support multiple controllers
Languages	English · Simple Chinese · Traditional Chinese · Japanese · French · German · Spanish · Korean · Arabic · Czech · Danish · Dutch · Greek · Hungarian · Italian · Norwegian · Russian · Polish · Portuguese · Slovenian · Swedish · Thai · Turkish
Mouse Emulator	Right / left button emulation. Auto Right / left Click (PDA function)
Touch Style	Drawing a Mode · button a Mode · Touch Off/ on Switch
Double Click	Configurable double click speed · Configurable double click area
Sound Modes	No sound · Touch down · Touch up
Display Support	display rotation · Support multiple monitors
Division Pattern	Support two halves and four parts with touch function, you can also create your own division patterns.
Settings:	
Edge compensation	Support edge compensation and you can also add your own numbers for it.
Support O.S	All Windows-32/64bit O.S Android ; Linux ; MAC



AIM-TMPCTU150-V01

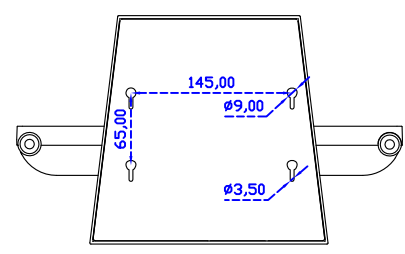
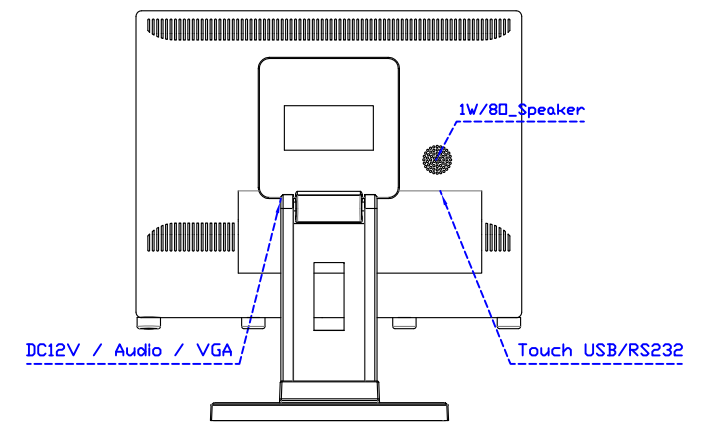
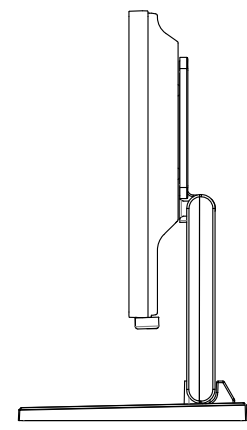
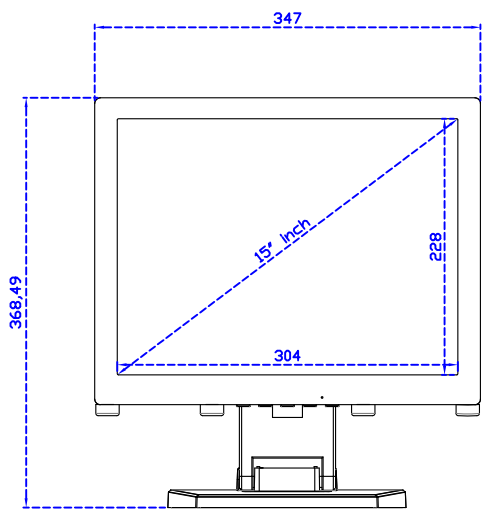
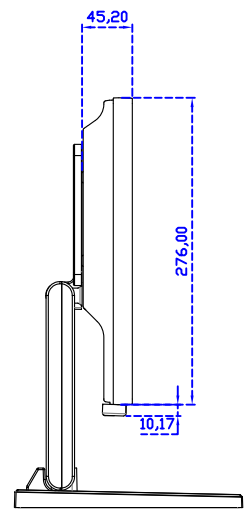
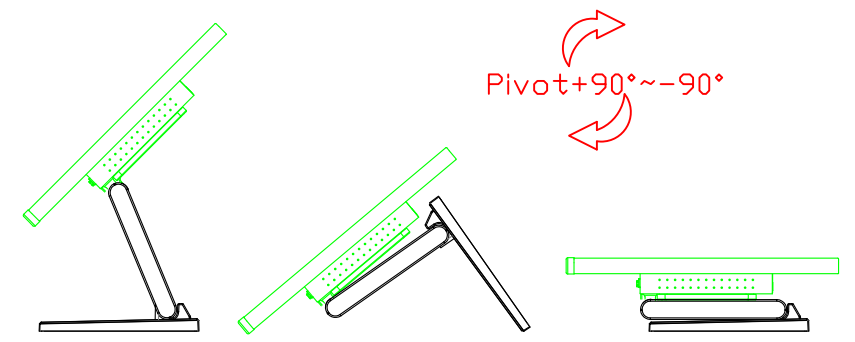
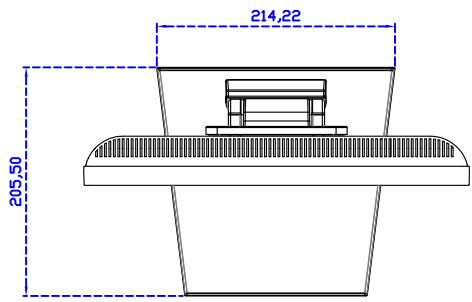


3 Year Warranty
LCD Panel 1 Year



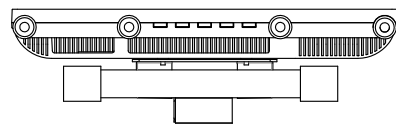
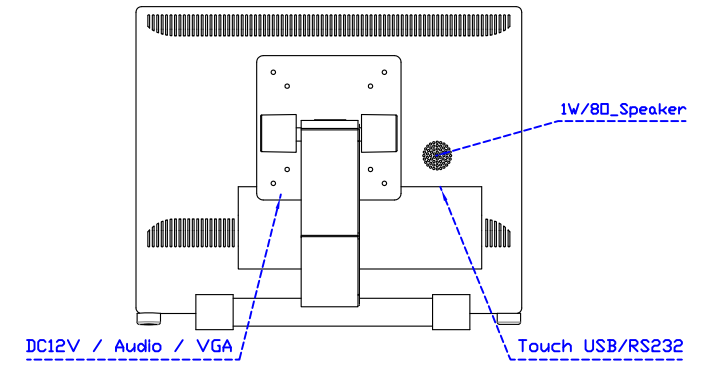
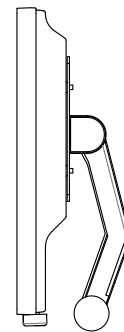
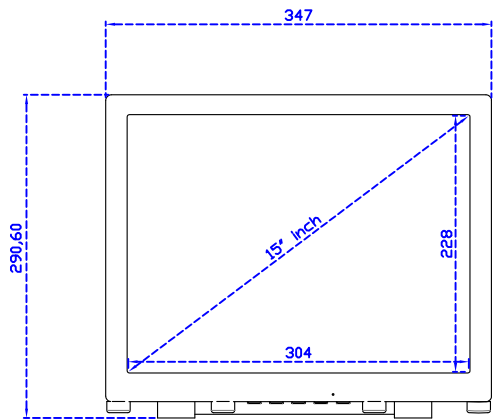
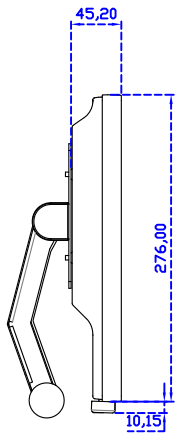
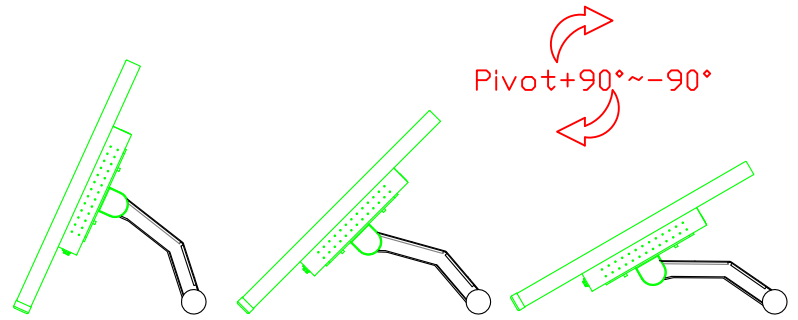
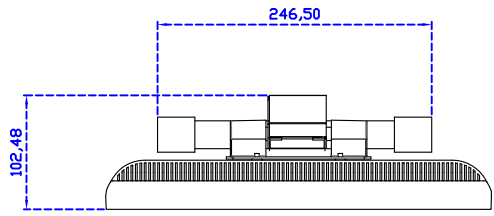
15" Touch Monitor.
(VESA Mount)

AIM-TMxxxx150-G01 N



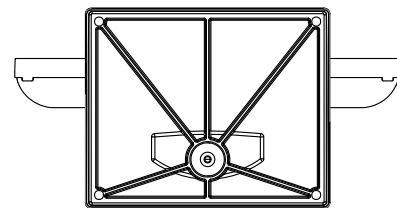
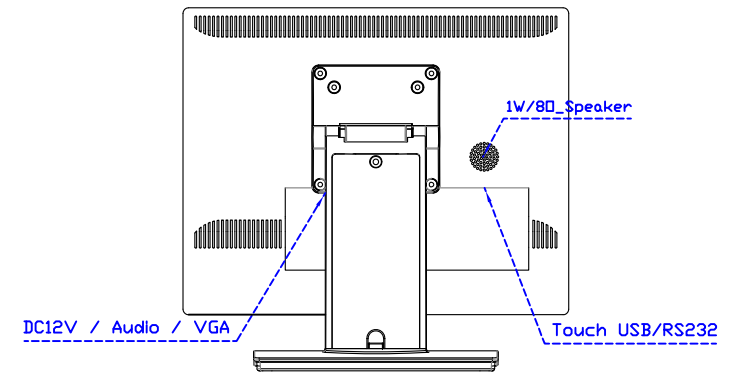
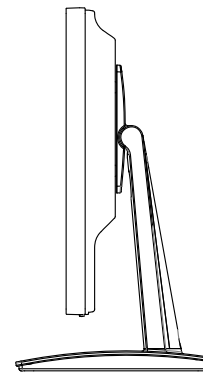
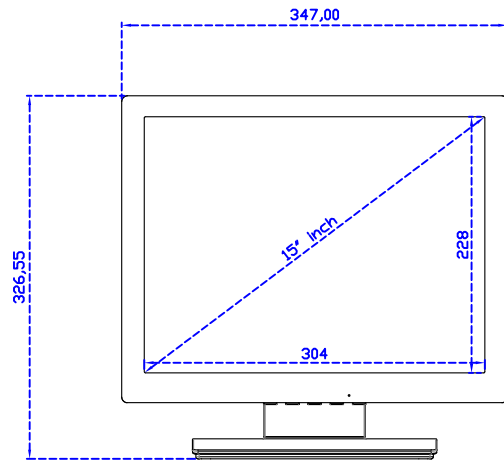
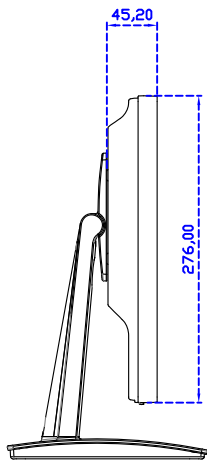
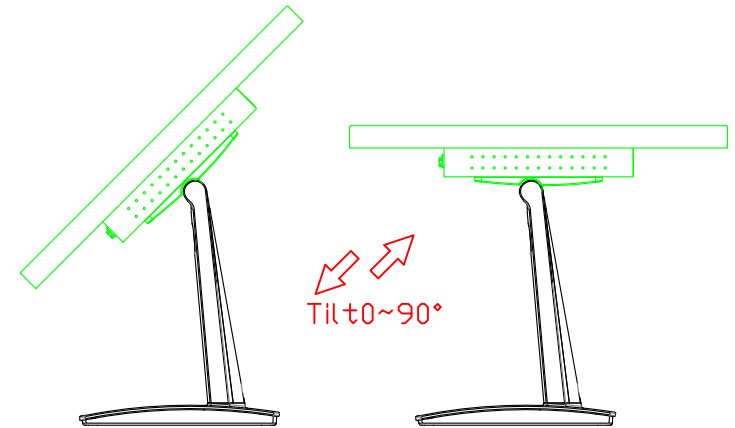
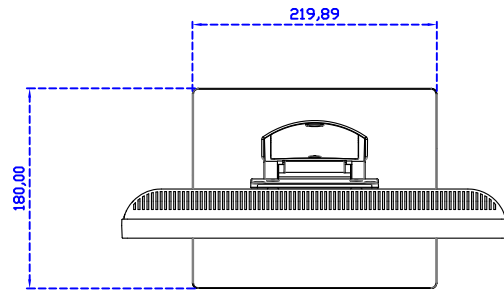
15" Desktop Touch Monitor.
(Folding Stand)

AIM-TMxxxx150-G01



15" Desktop Touch Monitor.
(Photo Stand)

AIM-TMxxxx150-P01



15" Desktop Touch Monitor.
(POS Stand)

AIM-TMxxx150-V01